



## RAM SERIES

An innovative electric actuator based on patented technology which provides an ultra-efficient solution to a wide range of applications. With a configurable stem shear torque allowing maximum safety factor in any application. Reliable customer driven quality with a wide range of configurable features.

## FEATURES

- Maximum Allowable 'Stem Torque' to protect valve
- Feedback on minimum amount of 'Stem Torque'
- Automatic configuration
- Real time data (cycles, temp, number of starts, power on/off, etc.)
- Failsafe activation
- Fault codes
- Status of valve deterioration
- Status of possible blockages
- Graphical Dashboard feature
- Reduces downtime with live information actuator controller system
- ISO 9001: 2015 accredited company



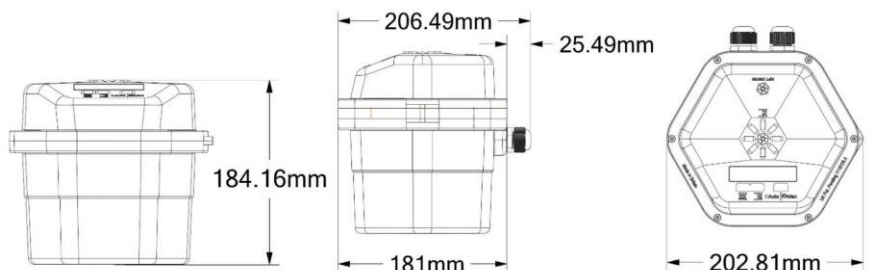
## SPECIFICATIONS

Product Model No.:	RAM100UV
Torque:	Up to 100Nm
Weight:	2.2 Kg
Working Time 0-90°:	4 Seconds
Anti-condensation Heater:	5 Watts
Cable Entries:	2 x 20mm Cable Glands
ISO5211 Mounting:	F03, F04, F05, F07 & F10
Output Drive Square:	14mm & 17 mm
Output Drive Orientation:	0/45°
Ingress Protection:	IP67
Input Voltage:	12V-30V DC/80V-300V AC
End of Travel Relays (2):	250VAC/5A – 30VDC
Ambient Temp Range °C:	-20 to +70
Manual Override:	Local Buttons
Bluetooth Control:	Via Android App
Visual Position Indicator:	Visual Positional LEDs
Electronic Position Indicator:	Via Bluetooth App
Reverse Acting:	Close CCW
Calibration Mode:	Open/Closed Position & Angle

## CHARACTERISTICS

Base:	Nylon 66 GF30
Top:	Nylon 66 GF30
Gears:	Acetal and Nylon 66
External Screws:	Stainless Steel
Electrical Motor:	Single Phase 6-24V DC
Drive Adapter:	Nylon 66 GF30
CE Conformance:	EN 15714-2; IP67; ISO5211
Battery	Internal Lithium-Ion Battery

## OUTLINE DIMENSIONS



## OPTIONAL FEATURES

- Speed Control
- Failsafe – NC, NO, Stay Put, Specific Angle
- Multi-Turn - 360°
- Modulation/Process Control – 4-20mA, 0-20mA, 0-10V
- Modulating Loss of Signal – Close, Open, Stay Put, Specific Angle
- Wiggle – Angle/Frequency
- Off Grid Capability
- Custom Drive Adapter

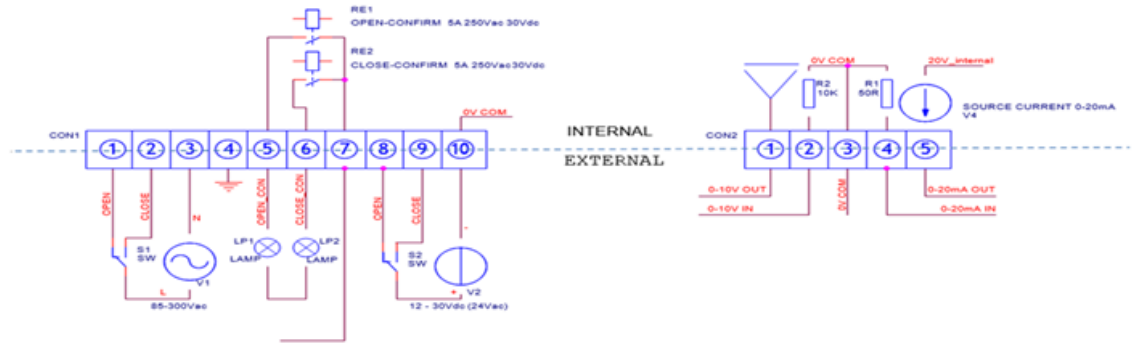
## BENEFITS

- Easy Setup
- Energy Efficient
- Plug-in Connectors
- Bluetooth Connectivity
- Accuracy to within 0.5°
- Rugged construction for extended service life
- ISO5211 mounting
- Fits most commercial valves

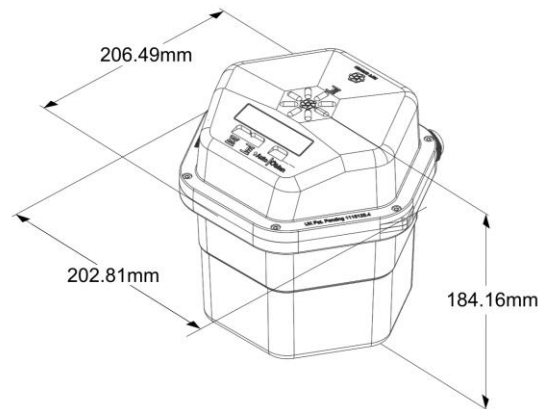
## ADDITIONAL SERVICES

- Customised Design
- Field Set-up
- Technical Support
- Application Support
- Guaranteed Warranty

## CONNECTIONS



## ISOMETRIC VIEW



## PART NUMBER CONFIGURATION

RAM	40	-	L	F03	A	P	-	A	4	WA	-	001
	①		②	③	④	⑤		⑥	⑦	⑧		⑨
①	<b>Stem shear torque</b> 40: 40Nm 60: 60Nm 80: 80Nm 100: 100Nm			④	<b>Drive Adapter</b> A: 14mm E: 22MM B: 17mm F: Custom C: 9mm D: 11mm			⑦	<b>Speed</b> 4 / 8 / 12 / 16 / X			
②	<b>Voltage</b> L: 10-30DC H: 80-300VAC			⑤	<b>Failsafe Option</b> P: Open L: Close G: Angle			⑧	<b>Wiggle</b> WA: angle WT: interval			
③	<b>Mounting Option</b> F03 / F04 / F05 / F07 / F10			⑥	<b>Modulation</b> A: 0-10V B: 0-20mA C: 4-20mA			⑨	<b>Customs/ factory code</b>			

## RIFT ACTUATORS

**UK Office:** Shaw House, 110-114 Barnard Green Road, Malvern, Worcester, UK. WR14 3ND  
Email: [sales@rifactuators.com](mailto:sales@rifactuators.com). Phone: +44 (0) 1684.386.523

**USA Office:** Katy, Texas. USA. 77494  
Email: [usa@rifactuators.com](mailto:usa@rifactuators.com) Phone: +1 713.839.5041

Website: [www.rifactuators.com](http://www.rifactuators.com)

23/11/2020 v1.3