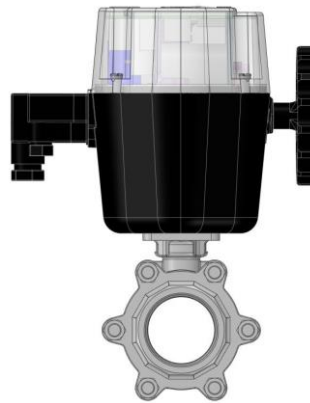


RAS SERIES

The RAS series are low cost, lightweight, compact and versatile actuators, an innovative electric actuator based on patented technology which provides an ultra-efficient solution to a wide range of applications. With a configurable stem shear torque allowing maximum safety factor in any application. Reliable customer driven quality with a wide range of configurable features.

FEATURES

- Maximum Allowable 'Stem Torque' to protect valve
- Feedback on minimum amount of 'Stem Torque'
- Automatic configuration
- Real time data (cycles, temp, number of starts, power on/off, etc.)
- Failsafe activation
- Fault codes
- Status of valve deterioration
- Status of possible blockages
- Graphical Dashboard feature
- Reduces downtime with live information actuator controller system
- ISO 9001: 2015 accredited company



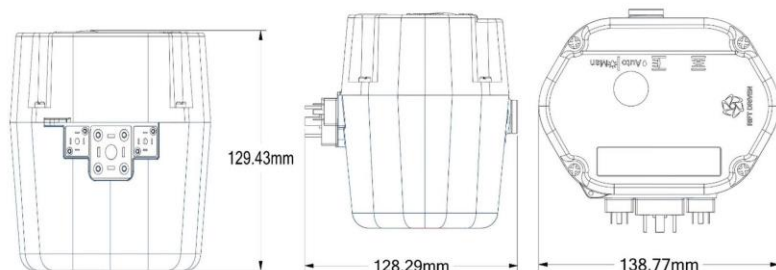
SPECIFICATIONS

Product Model No.:	RAS030UV
Torque:	Up to 30Nm
Weight:	1.1 Kg
Working Time 0-90°:	8 Seconds
Anti-condensation Heater:	3 Watts
Cable Entries:	External GSA
ISO5211 Mounting:	F03, F04 & F05
Output Drive Square:	11mm & 14 mm
Output Drive Orientation:	0/45°
Ingress Protection:	IP67
Input Voltage:	12V-30V DC
End of Travel Relays (2):	300VAC/900mA – 30VDC
Ambient Temp Range °C:	-20 to +70
Manual Override:	Local Buttons & Handle
Bluetooth Control:	Via Android App
Visual Position Indicator:	Positional Disk
Electronic Position Indicator:	Via Bluetooth App
Reverse Acting:	Close CCW
Calibration Mode:	Open/Closed Position & Angle

CHARACTERISTICS

Base:	Nylon 66 GF30
Top:	Nylon 66 GF30
Gears:	Acetal and Nylon 66
External Screws:	Stainless Steel
Electrical Motor:	Single Phase 6-24V DC
Drive Adapter:	Nylon 66 GF30
CE Conformance:	EN 15714-2; IP67; ISO5211
Battery	Integral Lithium-Ion Battery

OUTLINE DIMENSIONS



OPTIONAL FEATURES

- Speed Control
- Failsafe – NC, NO, Stay Put, Specific Angle
- Multi-Turn - 360°
- Modulation/Process Control – 4-20mA, 0-20mA, 0-10v
- Modulating Loss of Signal – Close, Open, Stay Put, Specific Angle
- Wiggle – Angle/Frequency
- Off Grid Capability
- Custom Drive Adapter

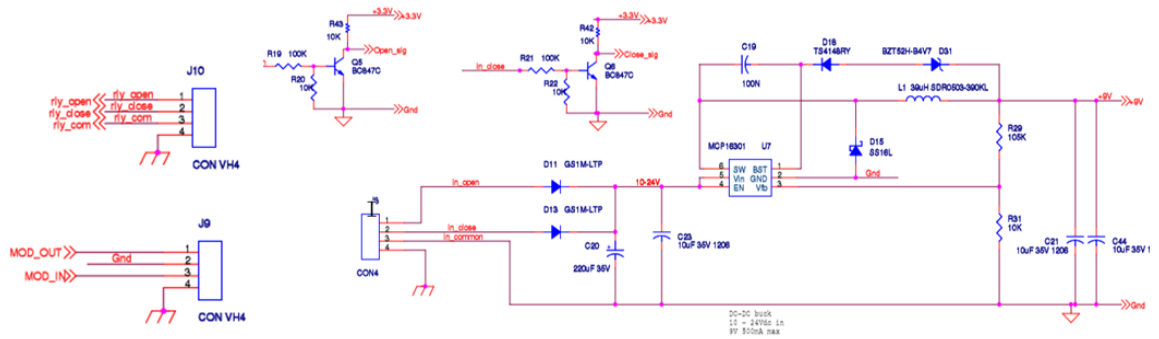
BENEFITS

- Easy Setup
- Energy Efficient
- Plug-in Connectors
- Bluetooth Connectivity
- Accuracy to within 0.1°
- Rugged construction for extended service life
- ISO5211 mounting
- Fits most commercial valves

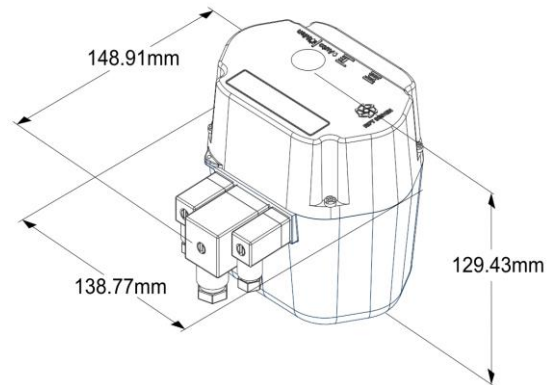
ADDITIONAL SERVICES

- Customised Design
- Field Set-up
- Technical Support
- Application Support
- Guaranteed Warranty

CONNECTIONS



ISOMETRIC VIEW



PART NUMBER CONFIGURATION

RAS	30	-	L	F03	A	P	-	A	4	WA	-	001
	①		②	③	④	⑤		⑥	⑦	⑧		⑨
①	Stem shear torque 10: 10Nm 20: 20Nm 30: 30Nm			④	Drive Adapter A: 14mm B: 9mm C: 11mm	D: Custom		⑦	Speed 4 / 6 / 16			
②	Voltage L: 10-30DC H: 80-300VAC			⑤	Failsafe Option P: Open L: Close G: Angle			⑧	Wiggle WA: angle WT: interval			
③	Mounting Option F03 / F04 / F05			⑥	Modulation A: 0-10V B: 0-20mA C: 4-20mA			⑨	Customs/ factory code			

RIFT ACTUATORS

UK Office: Shaw House, 110-114 Barnard Green Road, Malvern, Worcester, UK. WR14 3ND
Email: sales@rifactuators.com. Phone: +44 (0) 1684.386.523

USA Office: Katy, Texas. USA. 77494
Email: usa@rifactuators.com Phone: +1 713.839.5041

Website: www.rifactuators.com

23/11/2020 v1.3