

Product Description

An innovative electric actuator based on patented technology which provides an ultra-efficient solution to a wide range of applications. With a configurable stem shear torque allowing maximum safety factor in any application. Reliable customer driven quality with a wide range of configurable features.



Features

- Maximum Allowable 'Stem Torque' to protect valve
- Feedback on minimum amount of 'Stem Torque'
- Automatic configuration
- Real time data (cycles, temp, number of starts, power on/off, etc.)
- Failsafe activation
- Fault codes
- Status of valve deterioration
- Status of possible blockages
- Graphical Dashboard feature
- Reduces downtime with live information actuator controller system
- ISO 9001: 2015 accredited company

Operational Features

- Speed Control
- Failsafe – NC, NO, Stay Put, Specific Angle
- Multi-Turn - 360°
- Modulation/Process Control – 4- 20mA, 0-20mA, 0-10v
- Modulating Loss of Signal – Close, Open, Stay Put, Specific Angle
- Wiggle – Angle/Frequency
- Off Grid Capability
- Custom Drive Adapter

Outline Dimensions



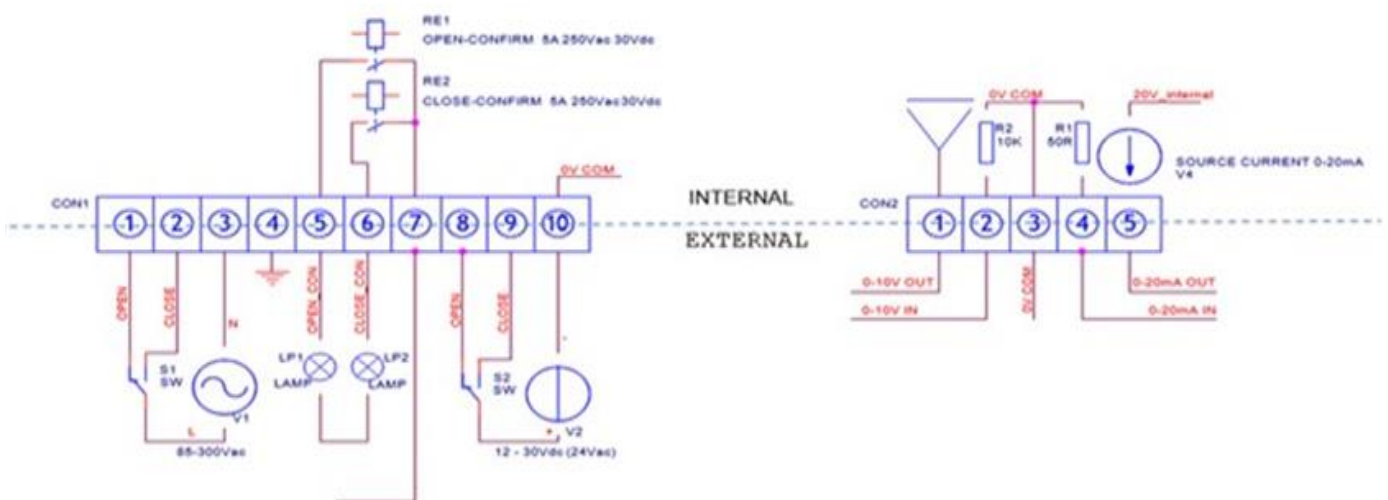
Specifications

Product Model No	RAL200UV
Torque	Up to 200Nm
Weight	3.6 Kg
Working Time 0-90°	16 Seconds
Anti-condensation Heater	5 Watts
Cable Entries	2 x 20mm Cable Glands
ISO5211 Mounting	F07, F10
Output Drive Square	17 mm
Output Drive Orientation	0/45°
Ingress Protection	IP67
Input Voltage	12V–30V DC/80V–300V AC
End of Travel Relays (2)	250VAC/5A – 30VDC
Ambient Temp Range °C	-20 to +70
Manual Override	Local Buttons
Bluetooth Control	Via Android App
Visual Position Indicator	Visual Positional LEDs
Electronic Position Indicator	Via Bluetooth App
Reverse Acting	Close CCW
Calibration Mode	Open/Closed Position & Angle

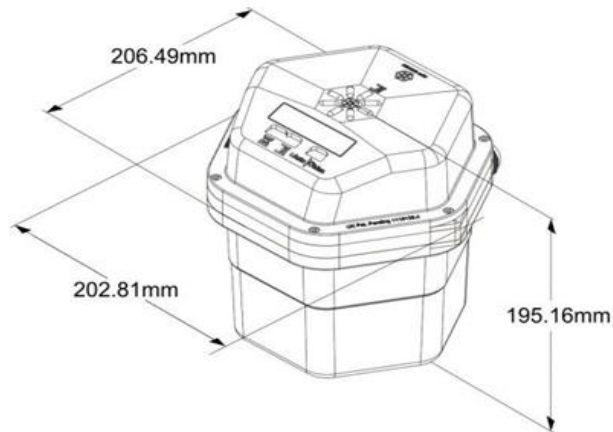
Characteristics

Base	Nylon 66 GF30
Top	Nylon 66 GF30
Gears	Acetal and Nylon 66
External Screws	Stainless Steel
Electrical Motor	Single Phase 6-24V DC
Drive Adapter	Aluminum 608LT6
CE Conformance	EN 15714-2; IP67; ISO5211

Connections



Isometric view



Part Number Configuration

RAL	100	-	L	F03	A	P	A	4	WA	-	001
	①		②	③	④	⑤	⑥	⑦	⑧		⑨
	① Stem shear torque 100: 100Nm 200: 200Nm			④ Drive Adapter A: 17mm B: 22mm C: Custom			⑦ Speed 16/X				
	② Voltage L: 10-30DC H: 80-300VAC			⑤ Failsafe Option P: Open L: Close G: Angle			⑧ Wiggle WA: angle WT: interval				
	③ Mounting Option F07 / F10			⑥ Modulation A: 0-10V B: 0-20mA C: 4-20mA			⑨ Customs/ factory code				

Benefits

- Easy Setup
- Energy Efficient
- Plug-in Connectors
- Bluetooth Connectivity
- Accuracy to within 0.5°
- Rugged construction for extended service life
- ISO5211 mounting
- Fits most commercial valves

Additional Services

- Customized Design
- Field Set-up
- Technical Support
- Application Support
- Guaranteed Warranty

UK Office: Shaw House, 110-114 Barnards Green Road, Malvern, Worcester, UK. WR14 3ND
Email: sales@riftactuators.com. Phone: +44 (0) 1684.386.523

USA Office: Katy, Texas. USA. 77494
Email: usa@riftactuators.com Phone: +1 713.839.5041