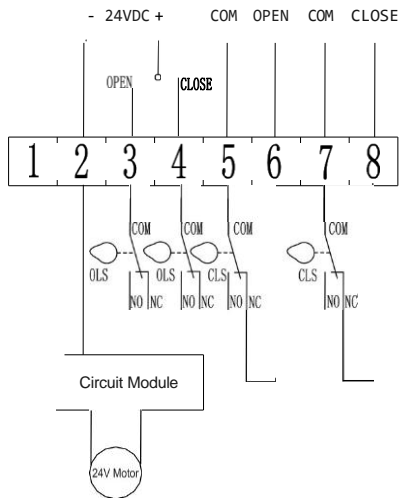
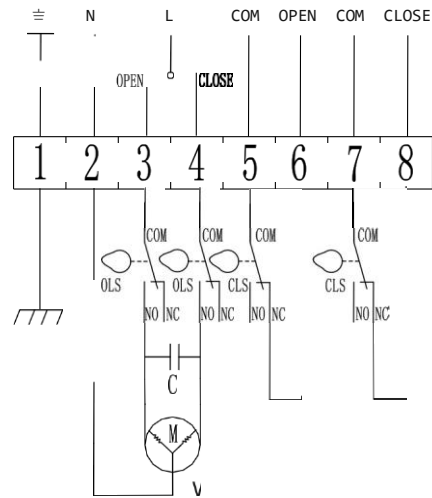


RAE-P Standard On/Off Wiring Diagram



RAE-P DC24V, On/Off

1. 2-3: On Position Control (2 is connected with cathode)
2. 2-4: Off Position Control
3. 5-6: Full Open Signal Feedback
4. 7-8: Full Close Signal Feedback
5. 5 and 7: COM is available for short connection



RAE-P AC220V, On/Off Type

1. 2-3: On Position Control
2. 2-4: Off Position Control
3. 5-6: Full Open Signal Feedback
4. 7-8: Full Close Signal Feedback
5. 5 and 7: COM is available to short

UK Office: Unit 8, Sixways Industrial Estate, Malvern, Worcester, WR14 3NB, UK

Email: sales@riftactuators.com. Phone: +44 (0) 1684.368.523

USA Office: Katy, Texas. USA. 77494

Email: usa@riftactuators.com Phone: +1 713.839.5041