

ProductDescription

An innovative electric actuator based on patented technology which provides an ultra-efficient solution to a wide range of applications. With a configurable stem shear torque allowing maximum safety factor in any application. Reliable customer driven quality with a wide range of configurable features.



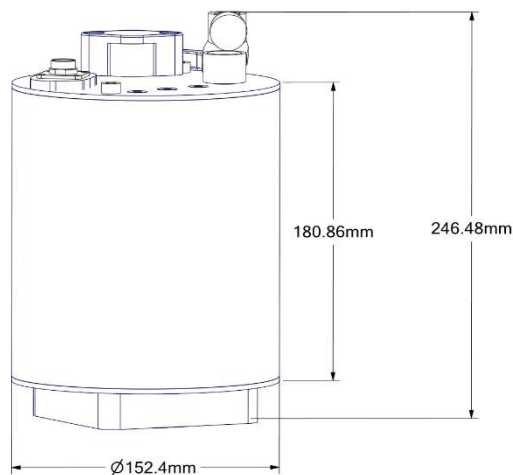
Features

- Maximum Allowable 'Stem Torque' to protect valve
- Feedback on minimum amount of 'Stem Torque'
- Easy configuration and commissioning
- Real time data (cycles, temp, number of starts, power on/off, etc.)
- Fail safe activation
- Fault codes
- Status of valve deterioration
- Status of possible blockages
- Graphical Dashboard feature
- Reduces downtime with live information actuator controller system
- ISO9001:2015 accredited company

OptionalFeatures

- Speed Control
- Failsafe–NC, NO, StayPut, SpecificAngle
- Multi-Turn-360⁰
- Modulation/ProcessControl–4-20mA, 0-20mA, 0-10v
- Modulating Loss of Signal–Close, Open, Stay Put, Specific Angle
- Wiggle–Angle/Frequency
- Off Grid Capability
- Custom Drive Adapter

OutlineDimensions



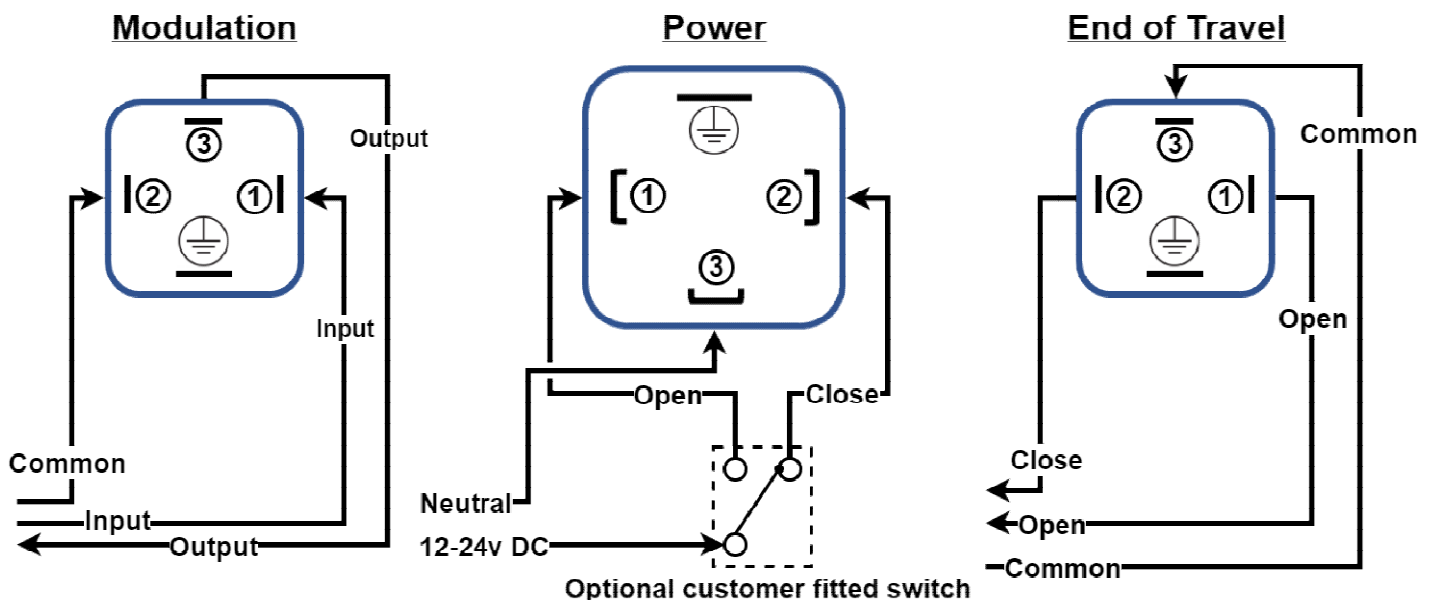
Specifications

Product Model No	RAL300
Continuous Torque	Upto 300Nm/2650 inlbs
Weight	12.6kg
Working Time 0-90°	10 Seconds
Anti-condensation Heater	5 Watts
Cable System	Removable DIN Plug
ISO5211 Mounting	F10
Output Drive Square	22mm x 22mm x 25mm
Output Drive Orientation	0/45°
Ingress Protection	IP68
Input Voltage	12V-30VDC
End of Travel Relays	2x 300VAC/900mA – 30VDC
Wiring	Removable DIN Plug
Ambient Temp Range °C	-20 to +70
Manual Override	Local Buttons and Physical De-clutch Hand wheel
Blue tooth Control	Via Android App
Visual Position Indicator	Visual Positional LEDs and Physical Indicator
Electronic Position Indicator	Via Blue tooth App
Reverse Acting	Close CCW
Calibration Mode	Open/Closed Position & Angle

Characteristics

Base	Anodised Aluminium (6082)
Top	Anodised Aluminium (6082)
Gears	Brass (CN617) and Steel (EN8)
External Screws	Marine Stainless Steel (A4)
Electrical Motor	Single Phase 6-24V DC
Drive Adapter	Anodised Aluminium (6082)
CE Conformance	EN15714-2; IP67; ISO5211
Battery	Internal Lithium-Ion Battery (16850)
Certifications	UKCE, ISO15714-2

Wiring Connections





TECHNICAL DATASHEET

ProductType

RAL300SERIES

PartNumberConfiguration

RAL	300	-	L	F10	A	P	A	4	WA	-	001
	①		②	③	④	⑤	⑥	⑦	⑧		⑨
①	Continuous torque 300: 300Nm 200: 200Nm 100: 100Nm			④	Drive Adapter F:22mmx22mmx25mm		⑦	Speed 10			
②	Voltage L:12-30DC			⑤	Failsafe Option P:Open L: Close G:Angle		⑧	Wiggle WA:angle WT:interval			
③	Mounting Option F10			⑥	Modulation A:0-10V B:0-20mA C:4-20mA		⑨	Customs/factorycode			

Benefits

- Easy Setup
- Energy Efficient
- Plug-in Connectors
- Bluetooth Connectivity
- Accuracy within 0.5°
- Rugged construction for extended service life
- ISO5211 mounting
- Fits most commercial valves

Additional Services

- Customized Design
- Field Set-up
- Technical Support
- Application Support
- Guaranteed Warranty

UK Office: Unit 8, Sixways Industrial Estate, Malvern, Worcester, WR14 3NB, UK

Email: sales@riftactuators.com. Phone: +44 (0) 1684.368.523

USA Office: Katy, Texas, USA. 77494

Email: usa@riftactuators.com Phone: +1713.839.5041