

### Product Description

An innovative electric actuator based on patented technology which provides an ultra-efficient solution to a wide range of applications. With a configurable stem shear torque allowing maximum safety factor in any application. Reliable customer driven quality with a wide range of configurable features.



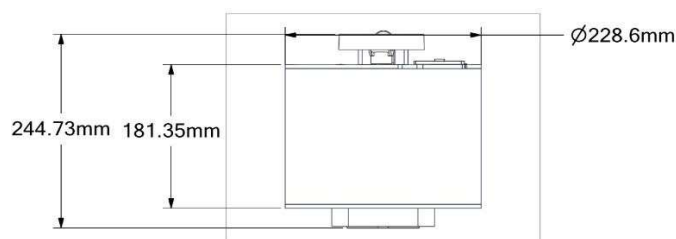
### Features

- Maximum Allowable 'Stem Torque' to protect valve
- Feedback on minimum amount of 'Stem Torque'
- Easy configuration and commissioning
- Realtime data (cycles, temp, number of starts, power on/off, etc.)
- Failsafe activation
- Fault codes
- Status of valve deterioration
- Status of possible blockages
- Graphical Dashboard feature
- Reduces downtime with live in formation actuator controller system
- ISO9001:2015 accredited company

### Operational Features

- Speed Control
- Failsafe—NC, NO, Stay Put, Specific Angle
- Multi-Turn—360°
- Modulation/Process Control—4-20mA, 0-20mA, 0-10v
- Modulating Loss of Signal—Close, Open, Stay Put, Specific Angle
- Wiggle—Angle/Frequency
- Off Grid Capability
- Custom Drive Adapter

### Outline Dimensions



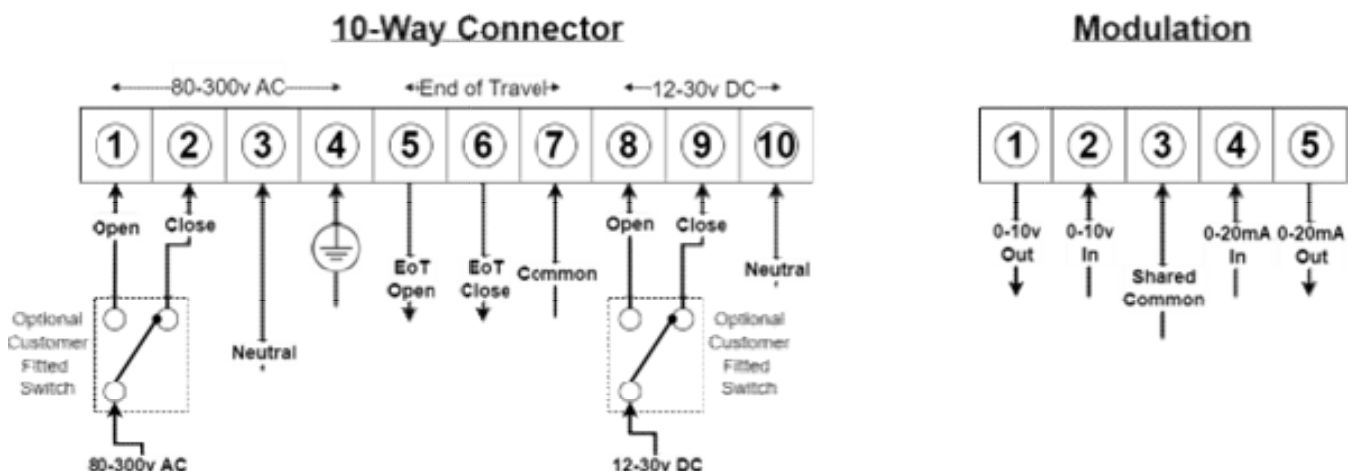
### Specifications

Product Model No	RAL600
Continuous Torque	Up to 600 Nm/5300inlbs
Weight	20.2kg
Working Time 0-90°	40 Seconds
Anti-condensation Heater	5 Watts
Cable Entries	2x 1/2" NPT or 2x M20 Gland
ISO5211 Mounting	F12
Output Drive Square	27mm
Output Drive Orientation	0/45°
Ingress Protection	Class1 Div2 Groups ABCD T4 Haz Loc, IP68
Input Voltage	12V-30VDC or 80-260 VAC
End of Travel Relays	2x 250VAC/5A-30VDC
Wiring	2x 1/2" NPT (or M20) Threaded Removable Terminal block
Ambient Temp Range °C	-20 to +70
Manual Override	Local Buttons and Physical Declutch Handwheel
Bluetooth Control	Via Android App
Visual Position Indicator	Visual Positional LEDs and Physical Indicator
Electronic Position Indicator	Via Bluetooth App
Reverse Acting	Close CCW
Calibration Mode	Open/Closed Position & Angle

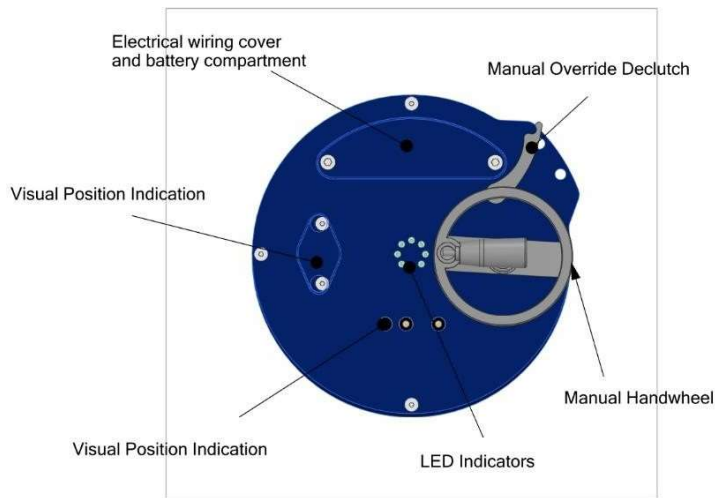
### Characteristics

Base	Anodised Aluminium (6082)
Top	Anodised Aluminium (6082)
Gears	Brass (CN617) and Steel (EN8)
External Screws	Marine Stainless Steel (A4)
Electrical Motor	Single Phase 6-24V DC
Drive Adapter	Anodised Aluminium (6082)
CE Conformance	EN15714-2; IP67; ISO5211
Battery	Internal Lithium-Ion Battery (16850)
<b>Certifications</b>	UKCE, ISO15714-2 UL

### Wiring Connections



### Topview



### PartNumberConfiguration

<b>RAL</b>	<b>600</b>	-	<b>L</b>	<b>F03</b>	<b>A</b>	<b>P</b>	<b>A</b>	<b>4</b>	<b>WA</b>	-	<b>001</b>
	①		②	③	④	⑤	⑥	⑦	⑧		⑨
①	<b>Continuoustorque</b> 600:600Nm 300:300Nm			④	<b>DriveAdapter</b> F:25mmx25mmx29mm			⑦	<b>Speed</b> 40		
②	<b>Voltage</b> L:12-30DC H:80-300VAC			⑤	<b>FailsafeOption</b> P:Open L: Close G:Angle			⑧	<b>Wiggle</b> WA:angle WT:interval		
③	<b>MountingOption</b> F12			⑥	<b>Modulation</b> A:0-10V B:0-20mA C:4-20mA			⑨	<b>Customs/factorycode</b>		

### Benefits

- Easy Setup
- Energy Efficient
- Plug-in Connectors
- Bluetooth Connectivity
- Accuracy to within 0.5°
- Rugged construction for extended service life
- ISO5211 mounting
- Fits most commercial valves

### AdditionalServices

- Customised Design
- Field Set-up
- Technical Support
- Application Support
- Guaranteed Warranty

**UKOffice:** Unit 8, Sixways Industrial Estate, Malvern, Worcester, WR14 3NB, UK

Email: [sales@rifactuators.com](mailto:sales@rifactuators.com) Phone: +44 (0) 1684.368.523

**USAOffice:** Katy, Texas, USA. 77494

Email: [usa@rifactuators.com](mailto:usa@rifactuators.com) Phone: +1713.839.5041