



RIFT
actuators

RIFT Actuators Electric Range

Premium Range

New to the RIFT Actuator family is the Premium range.

This Electric Actuator range is designed for quarter turn applications with ISO5211 Mounting as standard. The Premium range is perfect for both high and low torque applications and comes with a mechanical dome position indicator so that you can view your desired position (Open/Close/Angle). Captive bolts secured so that you can be confident when removing the lid for wiring.



Benefits
Easy Installation
ISO5211 Mounting
Rugged Construction

Features
ISO5211 Mounting
IP67 as Standard
Positional Indicator

What we offer
Technical Support
Application Support
Guaranteed Warranty

Technical Data

Model No.	Torque	Weight	Temp	Working Time	Travel Angle	Manual Operation
	NM	Kg	°C	Sec	Degree	
RAE-P-S020	20	1.2	-20 to +70	10	90° ± 5°	Spanner
RAE-P-S035	35	2.8	-20 to +70	12	90° ± 5°	Spanner
RAE-P-H050	50	3.2	-20 to +70	10	90° ± 5°	Push H
RAE-P-H070	70	3.2	-20 to +70	15	90° ± 5°	Push H
RAE-P-S100	100	8	-20 to +70	8	90° ± 5°	Spanner
RAE-P-H100	100	11	-20 to +70	8	90° ± 5°	Push H
RAE-P-0100	100	12	-20 to +70	20	90° ± 5°	Push H
RAE-P-S200	200	8	-20 to +70	8	90° ± 5°	Spanner
RAE-P-0200	200	12	-20 to +70	30	90° ± 5°	Push H
RAE-P-0300	300	14	-20 to +70	20	90° ± 5°	Clutchless
RAE-P-0400	400	14	-20 to +70	30	90° ± 5°	Clutchless
RAE-P-0500	500	22	-20 to +70	40	90° ± 5°	Clutchless
RAE-P-0800	800	22	-20 to +70	48	90° ± 5°	Clutchless
RAE-P-1000	1000	22	-20 to +70	48	90° ± 5°	Clutchless
RAE-P-1500	1500	50	-20 to +70	35	90° ± 5°	Clutchless

*Push H = Push Handwheel Operation.

*Clutchless = Clutchless Handwheel.

Input Voltage

24VDC, 110VAC, 220VAC, 380VAC

Cable Entry

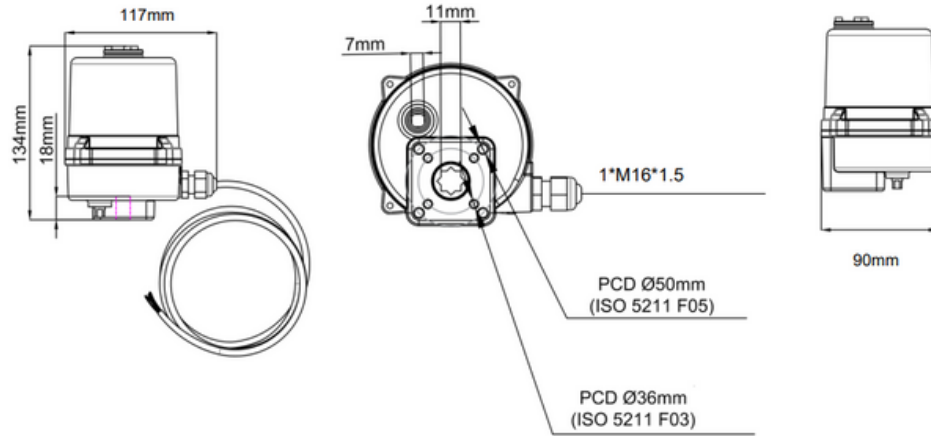
2xM20x1.5

ISO5211 & Stem

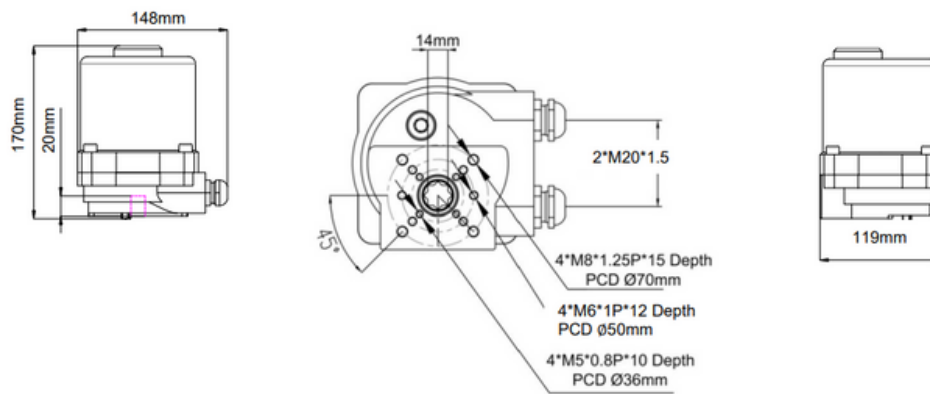
Model No.	Standard	Interface
RAE-P-S020	F03/05	M16*1.5
RAE-P-S035	F03/05/07	M16*1.5
RAE-P-H050	F03/05/07	M20*1.5
RAE-P-H070	F03/05/07	M20*1.5
RAE-P-S100	F05/07	M20*1.5
RAE-P-H100	F05/07	M20*1.5
RAE-P-O100	F05/07/10	M20*1.5
RAE-P-S200	F05/07	M20*1.5
RAE-P-O200	F05/07/10	M20*1.5
RAE-P-O300	F07/10	G3/4
RAE-P-O400	F07/10	G3/4
RAE-P-O500	F10/12-F14	G3/4
RAE-P-O800	F10/12-F14	G3/4
RAE-P-1000	F10/12-F14	G3/4
RAE-P-1500	F12/14/16	G3/4

Drawings

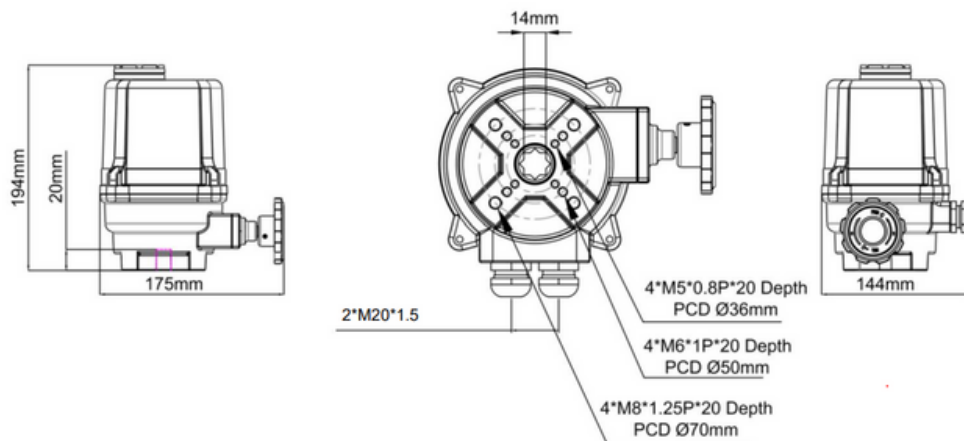
RAE-P-S020



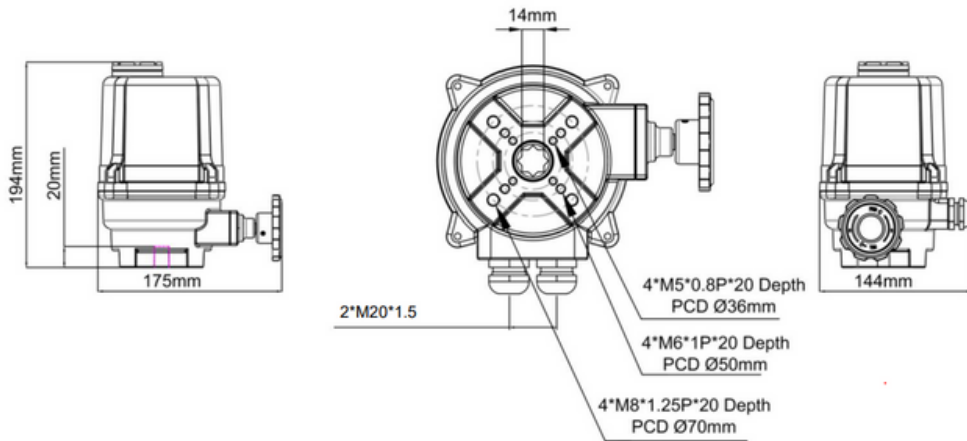
RAE-P-S035



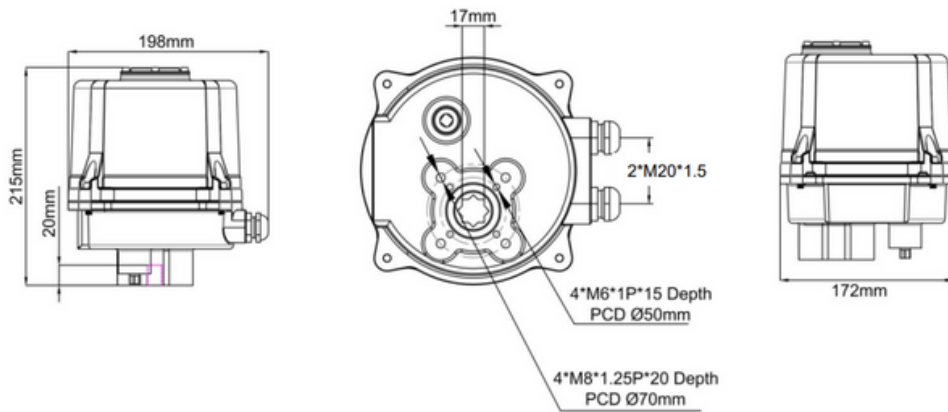
RAE-P-H050



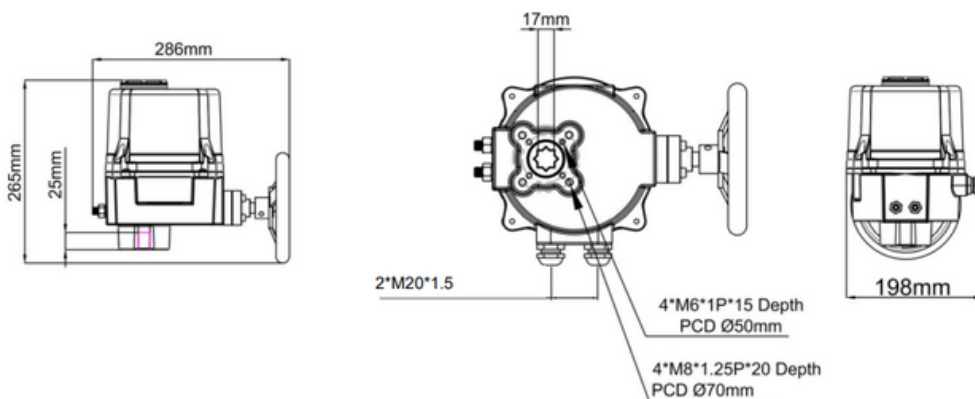
RAE-P-H070



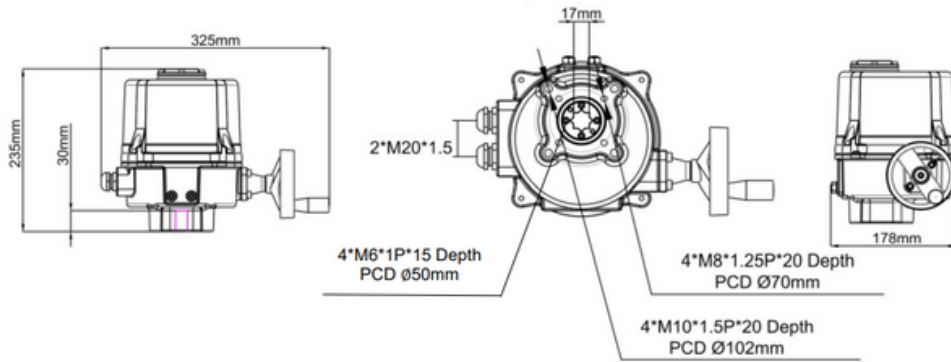
RAE-P-S100



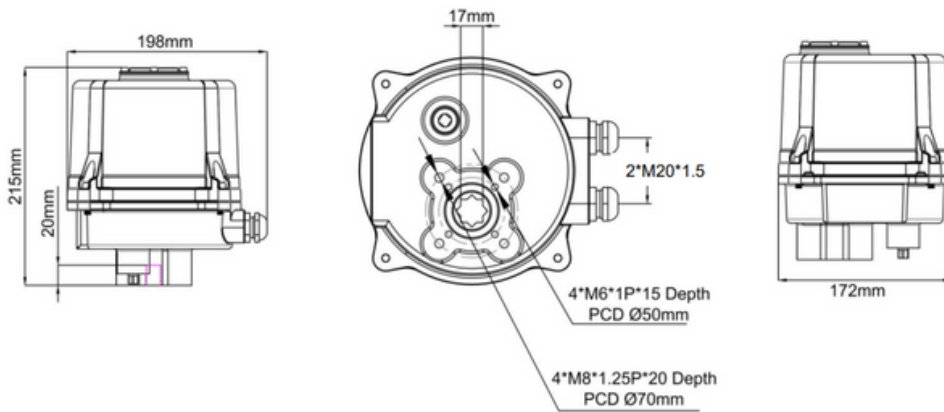
RAE-P-H100



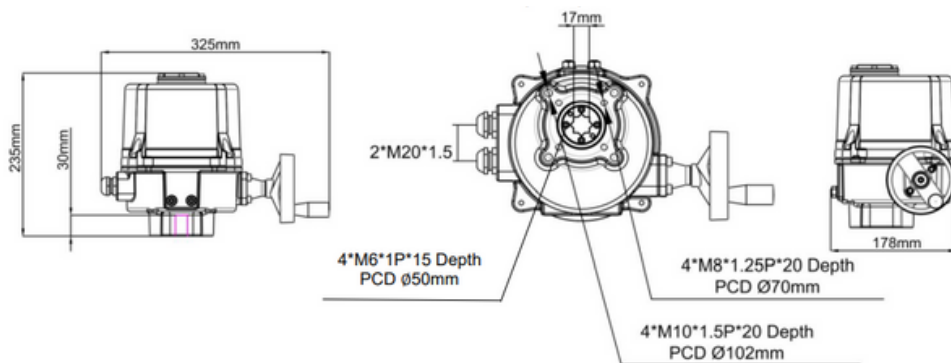
RAE-P-0100



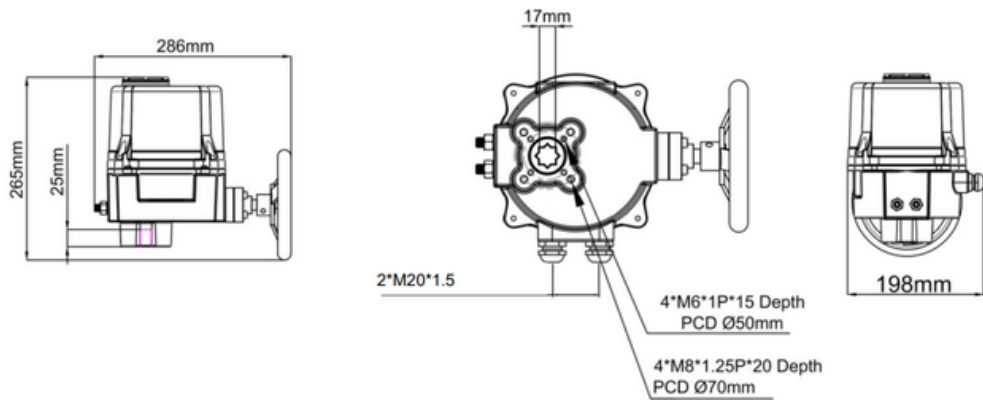
RAE-P-S200



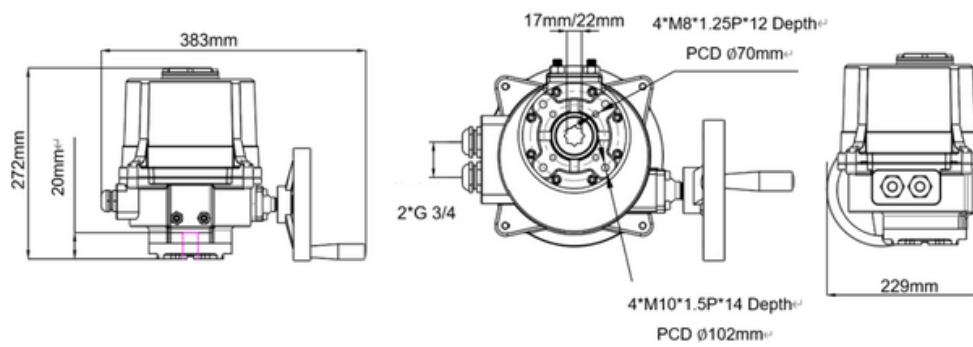
RAE-P-0200



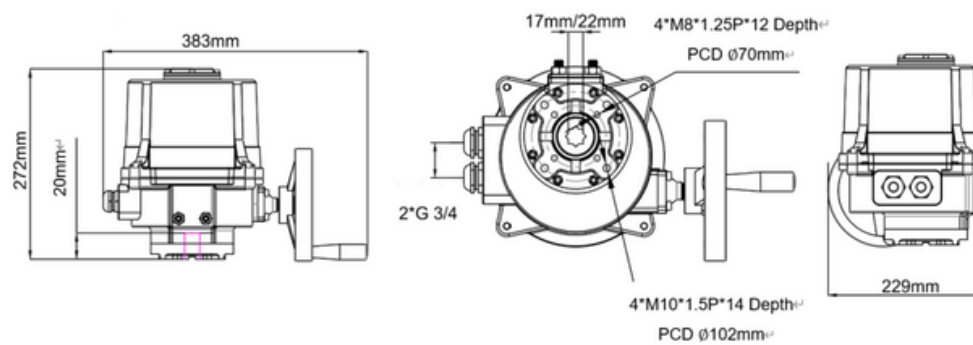
RAE-P-H200



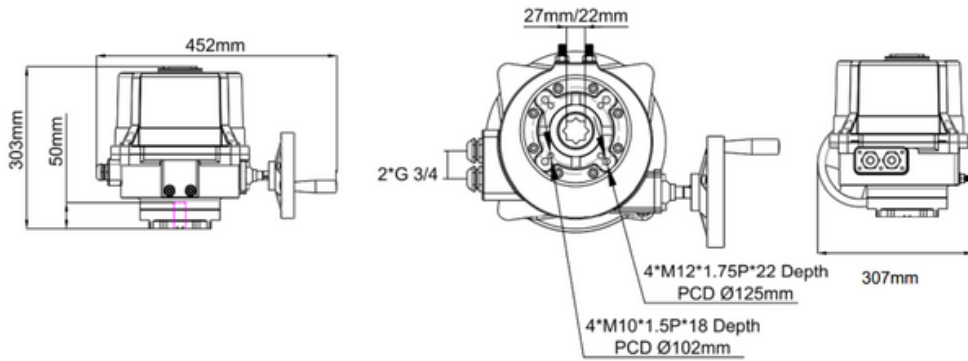
RAE-P-0300



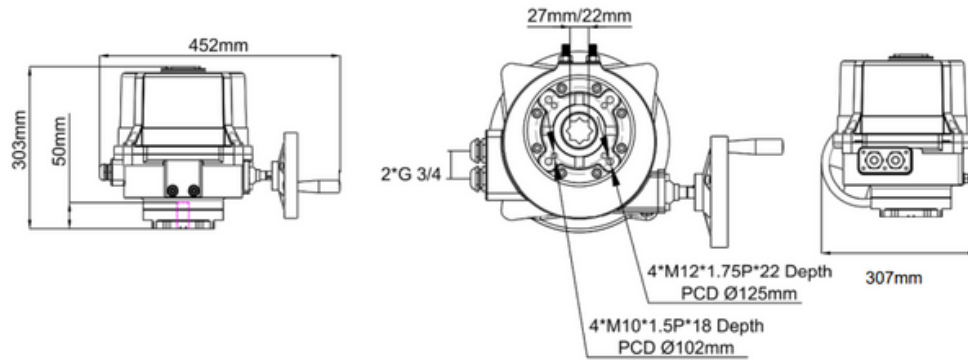
RAE-P-0400



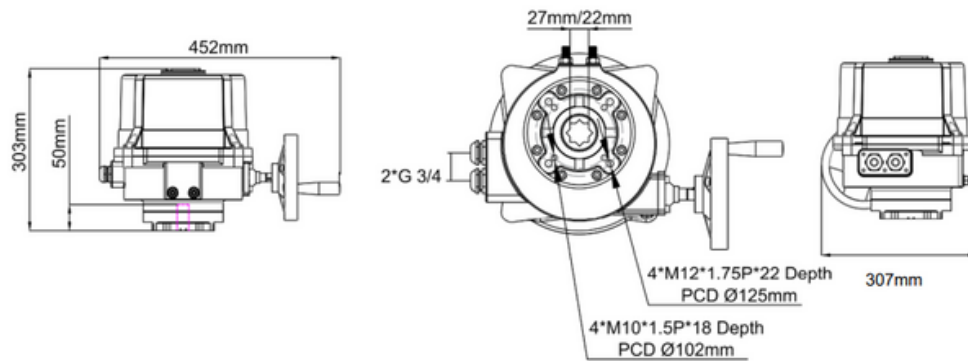
RAE-P-0500



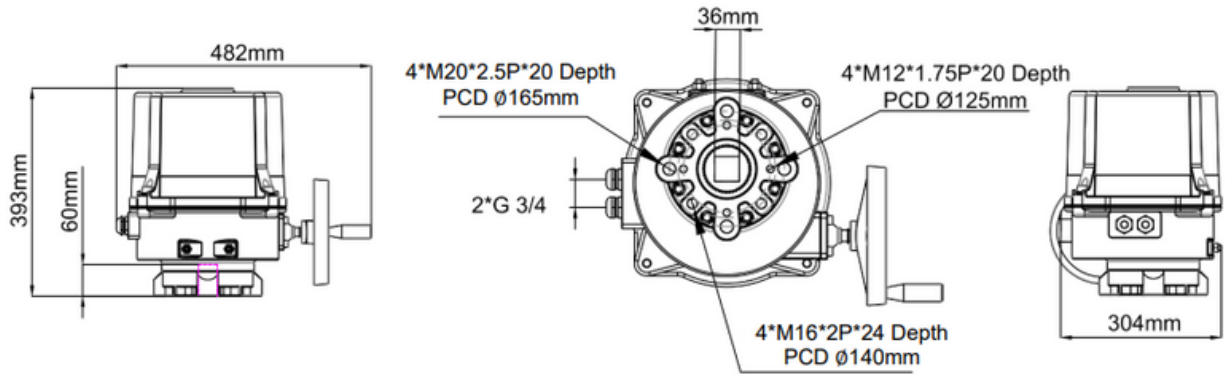
RAE-P-0800



RAE-P-1000



RAE-P-1500



Need Help?

