

Product Description

The RAS series of electric valve actuators are a low cost, light weight compact and versatile actuator, an innovative electric Actuator based on patented technology which provides an ultra-efficient solution to a wide range of applications. With a configurable stem shear torque allowing maximum safety factor in any application. Preventative maintenance functions to prolong valve life, provides a reliable customer driven quality product with a wide range of operator configurable features.



Features

- Maximum Allowable 'Stem Torque' to protect valve
- Feedback on minimum amount of 'Stem Torque'
- Automatic configuration
- Real time data (cycles, temp, number of starts, power on/off, etc.)
- Failsafe activation
- Fault codes
- Status of valve deterioration
- Status of possible blockages
- Graphical Dashboard feature
- Reduces downtime with live information actuator controller system
- ISO 9001: 2015 accredited company

Operational Features

- Speed Control
- Failsafe – NC, NO, Stay Put, Specific Angle
- Multi-Turn - 360°
- Modulation/Process Control – 4-20mA, 0-20mA, 0-10v
- Modulating Loss of Signal – Close, Open, Stay Put, Specific Angle
- Wiggle – Angle/Frequency
- Off Grid Capability
- Custom Drive Adapter

Outline Dimensions



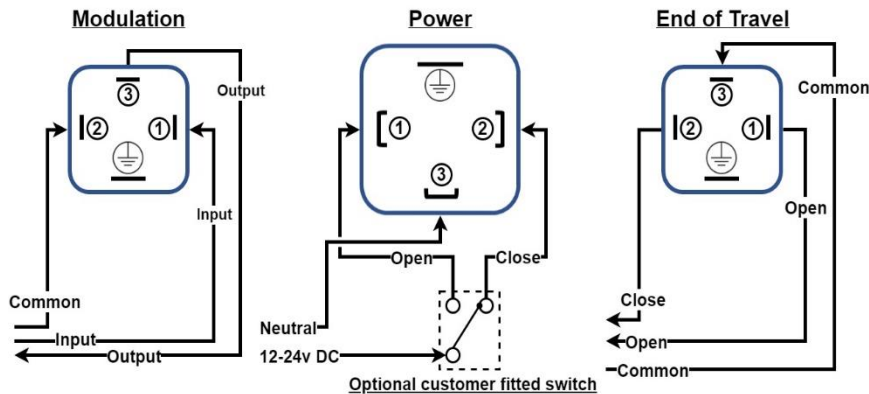
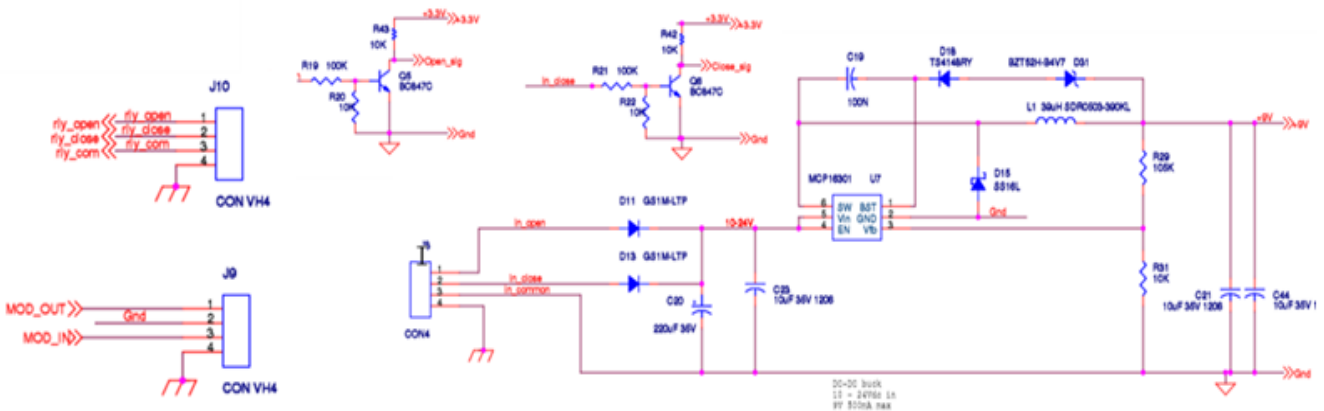
Specifications

Product Model No	RAS030UV
Torque	Up to 30Nm
Weight	1.1 Kg
Working Time 0-90°	8 Seconds
Anti-condensation Heater	3 Watts
Cable Entries	External GSA
ISO5211 Mounting	F03, F04 & F05
Output Drive Square	11mm & 14 mm
Output Drive Orientation	0/45°
Ingress Protection	IP67
Input Voltage	12V–30V DC
End of Travel Relays (2)	300VAC/900mA – 30VDC
Ambient Temp Range °C	-20 to +70
Manual Override	Local Buttons & Handle
Bluetooth Control	Via Android App
Visual Position Indicator	Positional Disk
Electronic Position Indicator	Via Bluetooth App
Reverse Acting	Close CCW
Calibration Mode	Open/Closed Position & Angle

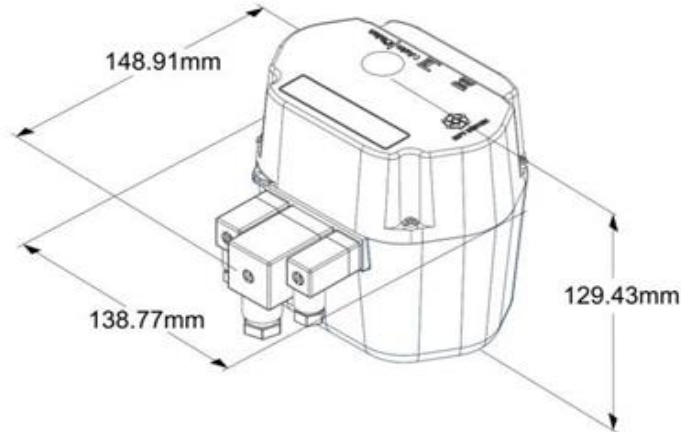
Characteristics

Base	Nylon 66 GF30
Top	Nylon 66 GF30
Gears	Acetal and Nylon 66
External Screws	Stainless Steel
Electrical Motor	Single Phase 6-24V DC
Drive Adapter	Nylon 66 GF30
CE Conformance	EN 15714-2; IP67; ISO5211
Battery	Integral Lithium-Ion Battery

Wiring Diagram



Isometric view



Part Number Configuration

RAS	30	-	L	F03	A	P	A	4	WA	-	001
	①		②	③	④	⑤	⑥	⑦	⑧		⑨
①	Stem shear torque			④	Drive Adapter		⑦	Speed			
	10: 10Nm 20: 20Nm 30: 30Nm				A: 14mm D: Custom B: 9mm C: 11mm			4 / 6 / 16			
②	Voltage			⑤	Failsafe Option		⑧	Wiggle			
	L: 10-30DC H: 80-300VAC				P: Open L: Close G: Angle			WA: angle WT: interval			
③	Mounting Option			⑥	Modulation		⑨	Customs/ factory code			
	F03 / F04 / F05				A: 0-10V B: 0-20mA C: 4-20mA						

Benefits

- Easy Setup
- Energy Efficient
- Plug-in Connectors
- Bluetooth Connectivity
- Accuracy to within 0.1°
- Rugged construction for extended service life
- ISO5211 mounting
- Fits most commercial valves

Additional Services

- Customized Design
- Field Set-up
- Technical Support
- Application Support
- Guaranteed Warranty

UK Office: Shaw House, 110-114 Barnards Green Road, Malvern, Worcester, UK. WR14 3ND
Email: sales@riftactuators.com. Phone: +44 (0) 1684.368.523

USA Office: Katy, Texas. USA. 77494
Email: usa@riftactuators.com Phone: +1 713.839.5041