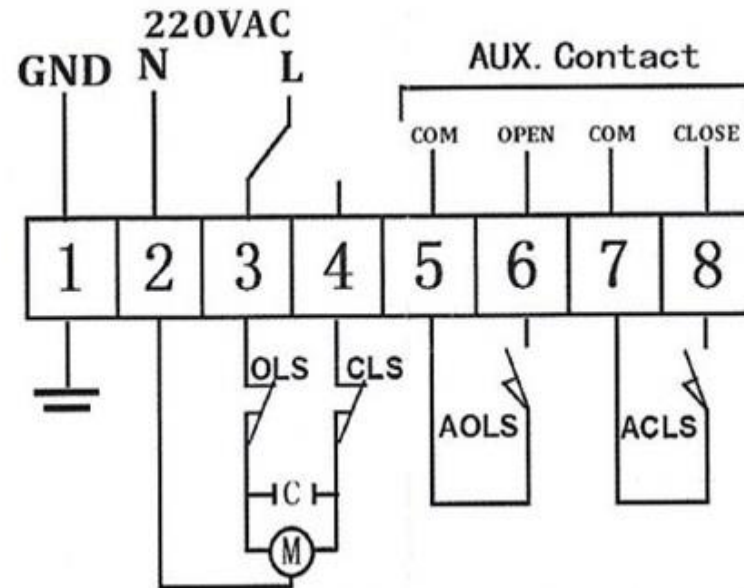


## RIFT REP-50-O-D-EX Setup Guide

### Internal Wiring Label



\*If you want more details, Please refer to our instruction manual.